

# Vector Frame Essential Light Box Square 01

VF-ESS-LB-S-01

Vector Frame™ fabric light boxes feature durable 120mm (4.75") aluminum extrusion frames, push-fit backlit fabric graphics and LED top and bottom lighting. Single and double-sided graphic options are available. LED lights come adhered to the frame making set-up as simple as assembling the frame, applying the push-fit graphics and plugging in the electrical cord!



## features and benefits:

- White aluminum frame
- Pre-attached LED lights
- Swivel feet for stability
- Easy toolless assembly
- Reusable box with foam padding and built-in plastic handle
- Lifetime frame warranty against manufacturer defects
- 90 day light warranty

## dimensions:

Hardware

Graphic

Assembled unit:  
96" w x 96.75" h x 15.75" d  
2438mm(w) x 2457mm(h) x 400mm(d)

Refer to related graphic template for more information.

Approximate weight:  
43 lbs / 20 kg

One year warranty.

Visit:  
<https://www.theexhibitorshandbook.com/download-graphic-templates>

Shipping

## additional information:

Packing case(s):  
1 Box

Graphic material:  
Backlit Intensity push-fit fabric graphics

Shipping dimensions:  
54" l x 20" h x 7" d  
1372mm(l) x 508mm(h) x 178mm(d)

Lighting Power Requirements:

Watts needed:	Amps needed:	Volts:
150W	6.25A	120-240V

Approximate shipping weight:  
49 lbs / 23 kg



This product may include the following materials for recycle:  
aluminum, select wood, fabric, cardboard, paper, steel, and plastics.

We are continually improving and modifying our product range and reserve the right to vary the specifications without prior notice. All dimensions and weights quoted are approximate and we accept no responsibility for variance. E&OE. See Graphic Templates for graphic bleed specifications.

# Included In Your Kit



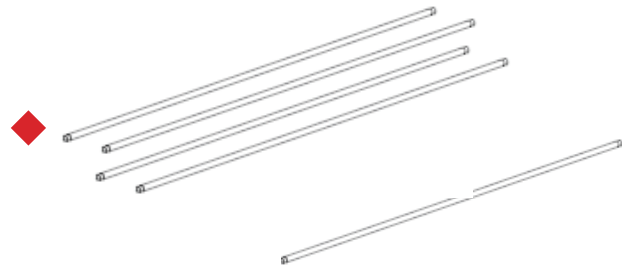
Top Extrusions  
Female (left)

Top Extrusions  
Male (right)



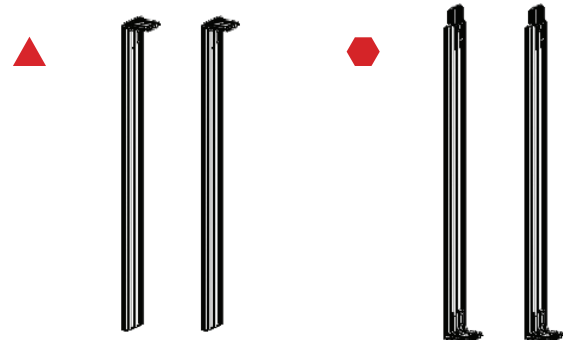
Bottom Extrusions  
Female (left)

Bottom Extrusions  
Male (right)



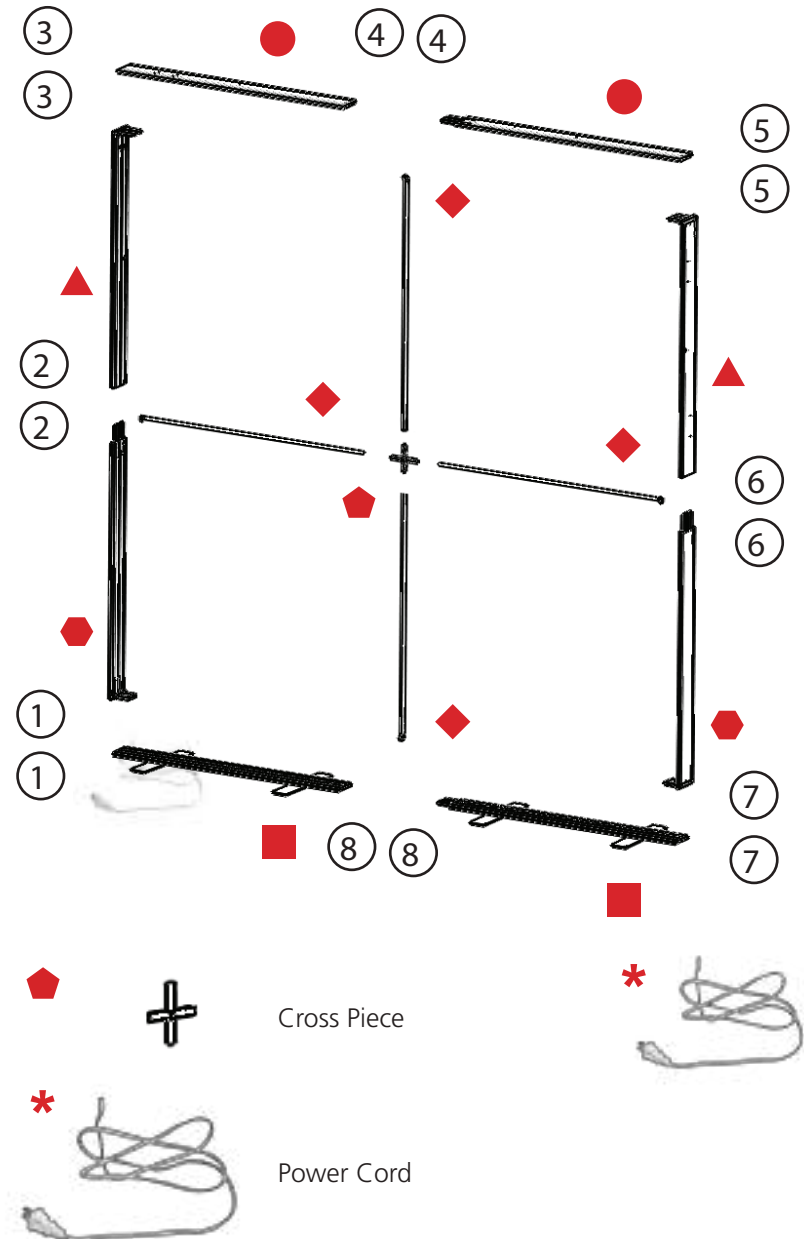
Channel Bar  
Tops, Bottoms,  
Sides (left)

Channel Bar  
Center (right)



Side Extrusions  
Top (left)

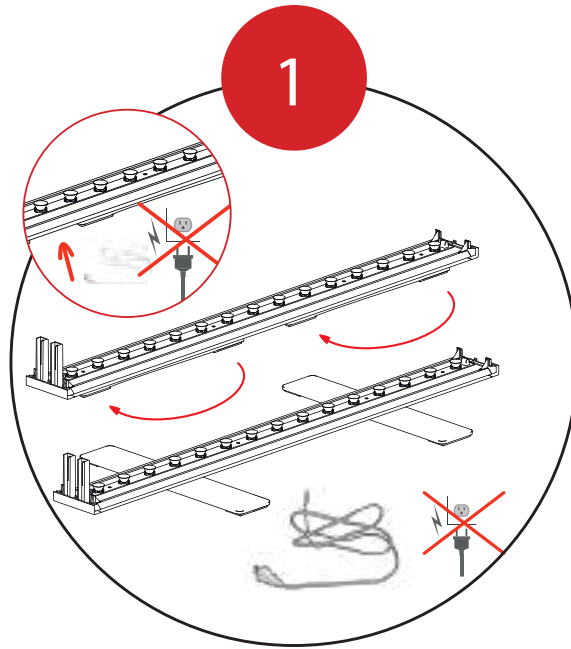
Side Extrusions  
Bottom (right)



Swivel the feet of the Bottom Extrusion. ■

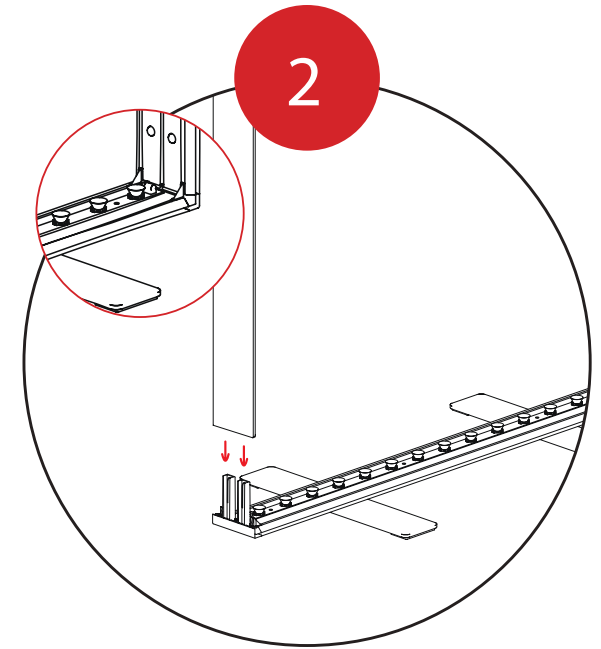
Do not have the Power Cord \* plugged into a power supply while assembling.

It is recommended to assemble the frame flat on the floor.

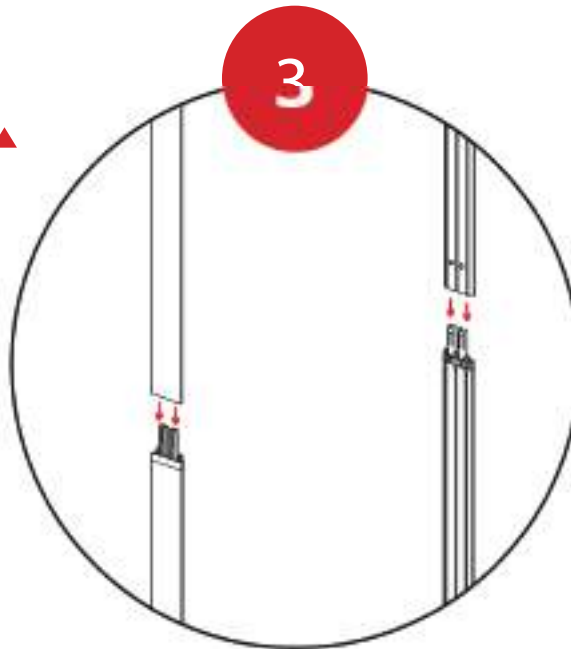


Fit the Bottom Extrusions together.

Fit the Side Extrusion Bottoms ◆ onto the Bottom Extrusion ■ connectors.

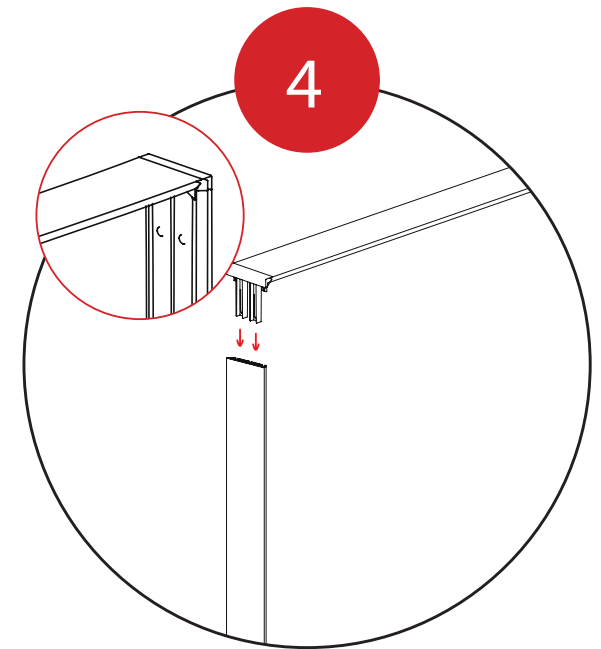


Fit the Side Extrusion Tops ▲ onto the Side Extrusion Bottom ◆ connectors.

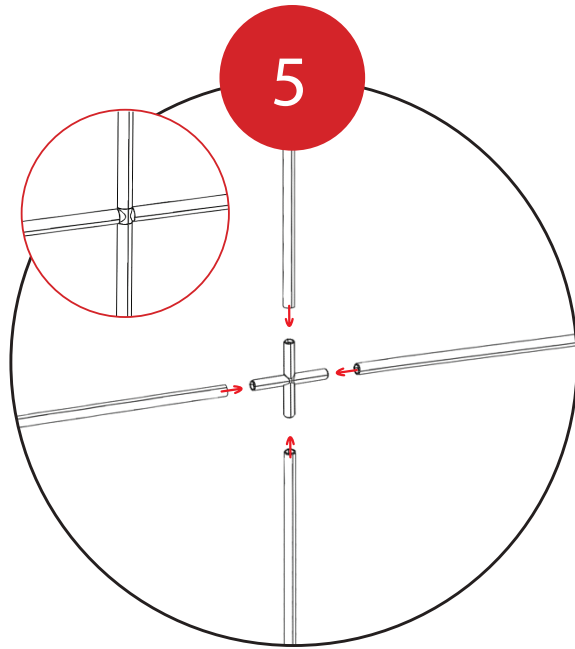


Fit the Top Extrusions together.

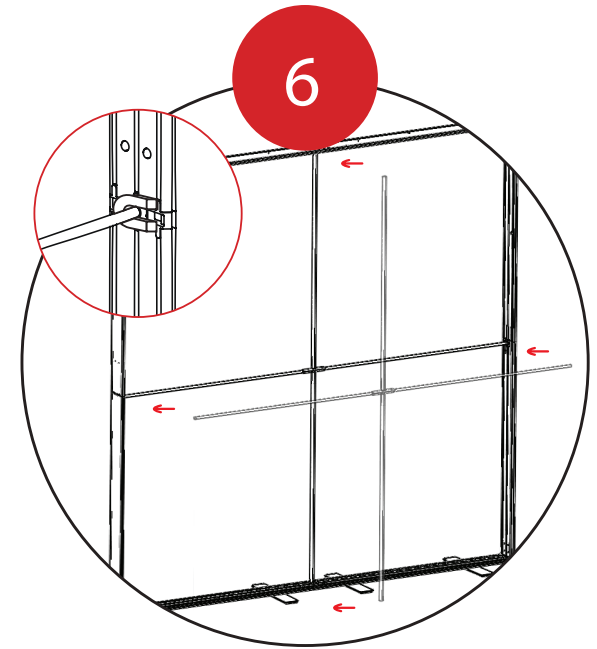
Fit the Top Extrusions ● onto the Side Extrusion Top ▲ connectors.



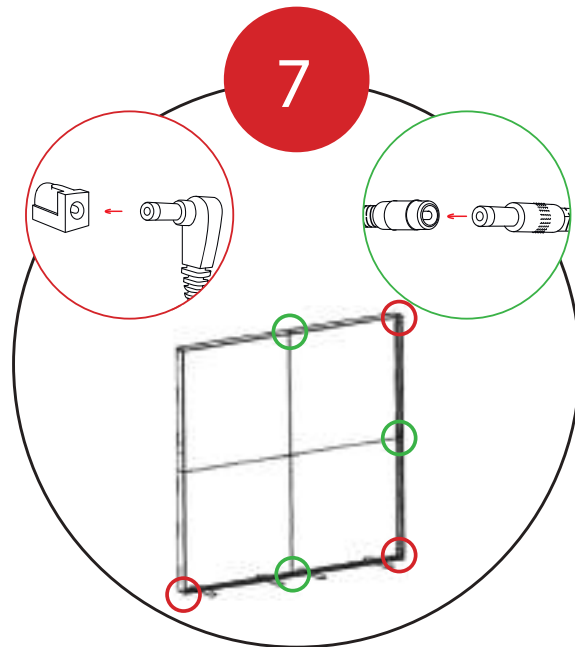
Fit the Channel Bars over the Cross Piece. ◆



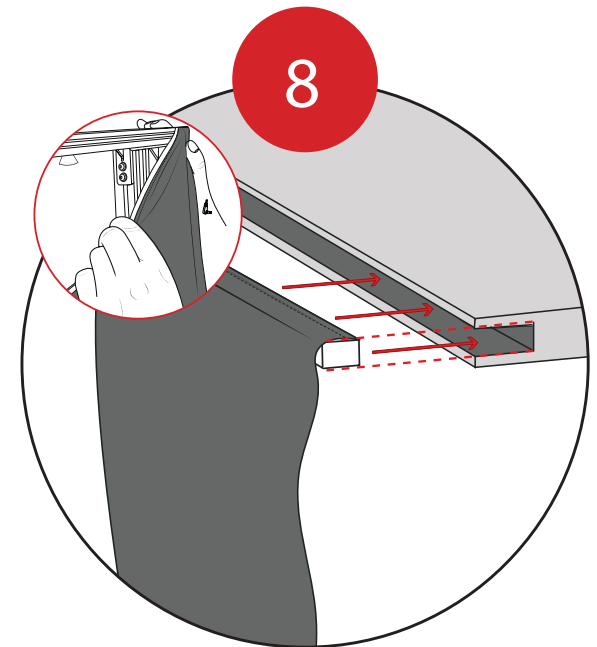
Fit the Channel Bar ◆ assembly into place on the Top, Bottom, and Side Extrusions.



Connect the light power cords according to the diagram on the right.



Fit your graphic(s) into the channel on the top and bottom extrusions.



Tilt the frame up.

Connect the Power Cord \*  
to the cable at the bottom  
of the frame.

Then connect to the  
power supply.

Set up is complete.

